

EV-UMBRA-ADV-IP65-600-TRI

Advanced IP65 Weatherproof Batten, Dual Power, Tri-CCT

FEATURES

- Tri-colour selection
- IP65 weatherproof rating and IK08 impact rating
- Selectable output power
- Exclusive 5 year warranty
- Increased lumen efficiency
- >60000h L70 or 42000h L80 led lifetime at 40 degrees
- Increased ambient temperature of 40 degrees
- 8 year product design life



ORDERING INFORMATION	
Order code	11204
Description	UMBRA Advanced 600mm LED wide body batten - Tri-CCT
Driver Type	Fixed output
Item Code	EV-UMBRA-ADV-IP65-600-TRI

MECHANICAL	
Body Material	Polycarbonate
Diffuser Material	Polycarbonate
Fitting Colour	Grey
IK Rating	IK08
Installation Type	Surface mount
IP Rating	IP65

ELECTRICAL	
Electrical Rating	Class I
Input Current	0.1 A
Input Frequency	50 Hz
Input voltage	230Vac
In Australia the Input voltage is defined as 230Vac -6%/+10%. This effectively means that the voltage range of these products are 216Vac - 253Vac or 240V +6%	
Maximum Wattage	17 W
Power Factor	0.9
Switch Type	Inline
Working Temp Range	0 to 40 °C

LAMP	
Macadam Steps (SDCM)	4-step MacAdam Ellipse
CCT Configuration	TRI-CCT
CRI	>80
Lamp/LED Current	350 mA
Lamp/LED voltage	42 V
System Efficiency	114 lm/W



LED LIFETIME

LED Lifetime >60000 hrs

This is the Reported LED Lifetime in Hours based on TM-21. Ektor does not list the projected or calculated LED lifetime, which is normally longer as TM-21 Addendum B explicitly states "The Calculated and Projected Lp(Dk) are not to be reported". This Lifetime refers to the life of a single LED however the system life is longer since the probability and binomial distribution of all LEDs in the system means that the average led is performing above the specification and compensates for the LEDs falling below.

Ambient Temp (°C)	25 °C	40 °C
L90B10	23000 hrs	21000 hrs
L80B10	46000 hrs	42000 hrs
L70B10	>60000 hrs	>60000 hrs
L70B50	>60000 hrs	>60000 hrs

This rating defines the performance of the led within its lifetime. L relates to lumen depreciation, where the proceeding number gives the resultant lumen output at the end of it reported lifetime. L70, would mean 30% lumen depreciation which means 70% of its initial output and is tested accordingly to TM-21. The B part refers to failures, which can be define as the percentage of LEDs which fall below the L value in the projected lifetime. A value of B10 refers to 10% failure and a value of B50 refers to 50% failure. After the defined lifetime, the system will reach the defined lumen depreciation and the average led failures is defined by the B rating. The B rating is defined in and tested to IEC62717.

TM-21 Test Hours 10000 hrs

COLOUR TEMPERATURE

9 Watts

Warm White (4000K)	>1100 lm
Cool White (5000K)	>1150 lm
DayLight (6500K)	>1100 lm

17 Watts

Warm White (4000K)	>1900 lm
Cool White (5000K)	>1950 lm
DayLight (6500K)	>1850 lm

DRIVER

Dimmable	No
Driver Included	Yes
Integrated Driver	No
Driver Mode	Constant Current
Driver Type	Fixed output
Wiring Type	Re-wireable terminal block (3 pin)

ENERGY SAVINGS SCHEME

Ipert Approval Yes

REES Approval Yes

VEU Approval Yes

COMPLIANCE

Product Design Life 8 years

The product design life relates to the total product life which includes LEDs, drivers and the enclosure. This is different to the LED lifetime which only refers to the economical lifetime of the LEDs at which time the lumen output has dropped below the L Value. The product design life is calculated at the maximum ambient or working temperature of the product and takes into account the Daily Use.

Daily Use 16 hrs

The Daily Use is the recommended time required to meet the product's design life. Installations can exceed this time, however the product design life will be reduced proportionally.

Standards AS/NZS 60598.1
AS/NZS 60598.2.1
AS/NZS 61347.1
AS/NZS 61347.2.13
AS CISPR 15

WARRANTY

Commercial Use Warranty 2 Onsite, 3 RTB (Total 5 Years)

This product is covered with our extended commercial use warranty, which covers the product for up to 5-years. The first 2-years of the warranty is provided onsite within our terms and conditions and the remaining 3-year period is covered by a return to base warranty.

Warranty Operating Hours 25000 hrs

This product is provided with a warranty up until the stated warranty period or until the stated warranty operating hours has been reached (whichever occurs first).

DIMENSIONS

Product Height 93 mm

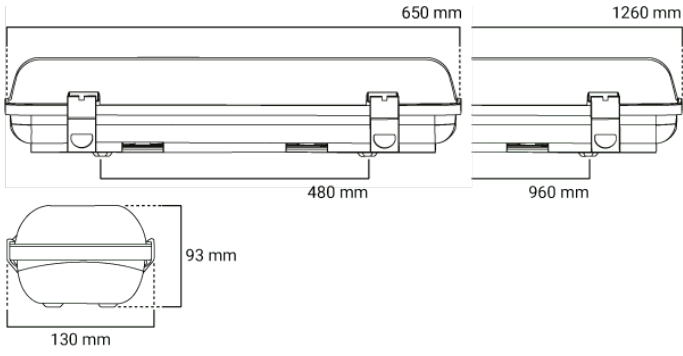
Product Length 620 mm

Product Width 130 mm

LINE DRAWINGS



EV/UMBRA/ADV/IP65



PHOTOMETRICS

UMBRA_ADV_IP65_600MM_FULL_POWER_4000K
UMBRA_ADV_IP65_600MM_FULL_POWER_6800K