

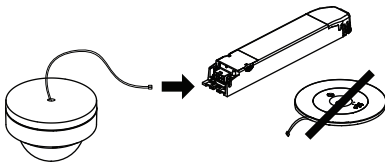
## EV-DOME-SM-HEAD

# 12800

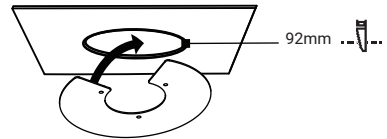
Remove the product from the box and inspect it for any damage. If you believe the product to be damaged or otherwise unsound, **DO NOT** install the product. Please pack it back into its box and return it to the place of purchase for replacement.

If the product is satisfactory, proceed with the installation:  
Ensure safety warnings are adhered to.

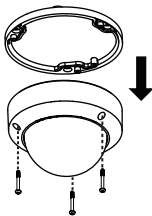
- 1** Discard the head from EV-LEDFIRE-PRO - 01694 (not included) and connect Dome head to the emergency driver.



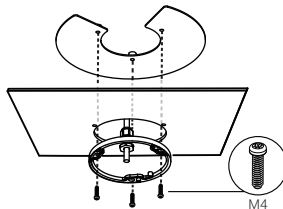
- 2** Make 92mm cut-out and insert bracket into ceiling space



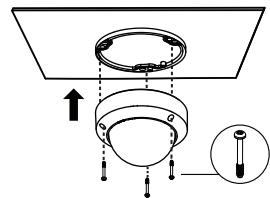
- 3** Remove Dome from the base.



- 4** Screw the base to the metal bracket with the provided M4 screws.



- 5** Attach the Dome to the base with the provided temper proof security screws.



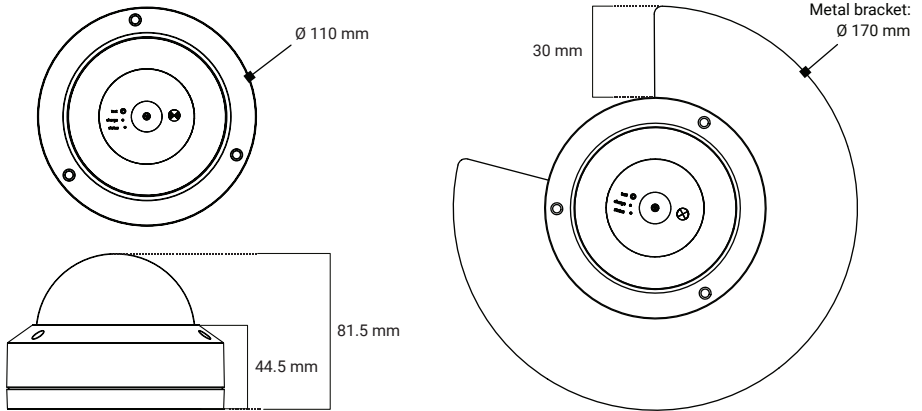
### SAFETY WARNINGS

1. This product must only be installed by a licensed electrician.
2. Before commencing installation turn off and isolate the electrical supply.
3. Risk of accidental contact with live parts. do not energise with product open or disassembled.
4. As the installer, it is your responsibility to ensure you comply to all relevant building and safety codes for example the BCA, AS3000.
5. The light source contained in this luminaire shall only be replaced by the manufacturer or his service agent or a similar qualified person.
6. The replacement of the battery is needed when they no longer meet their rated duration of operation after the corresponding recharge period.
7. This luminaire is intended only for mounting in locations where the plug and socket are protected from unauthorized disconnection.

## ORDER INFORMATION

Order code	SKU	Description	Carton QTY
EV-DOME-SM-HEAD	12800	Dome Surface mount Emergency Luminaire for EV-LED FIRE PRO – Head Only	4
EV-LED FIRE-PRO	01694	Pro Ledfire Emergency Luminaire	4

## DIMENSIONS



## SPECIFICATIONS

Mounting Type	Surface Mount
IP Rating	IP65
IK Rating	IK10