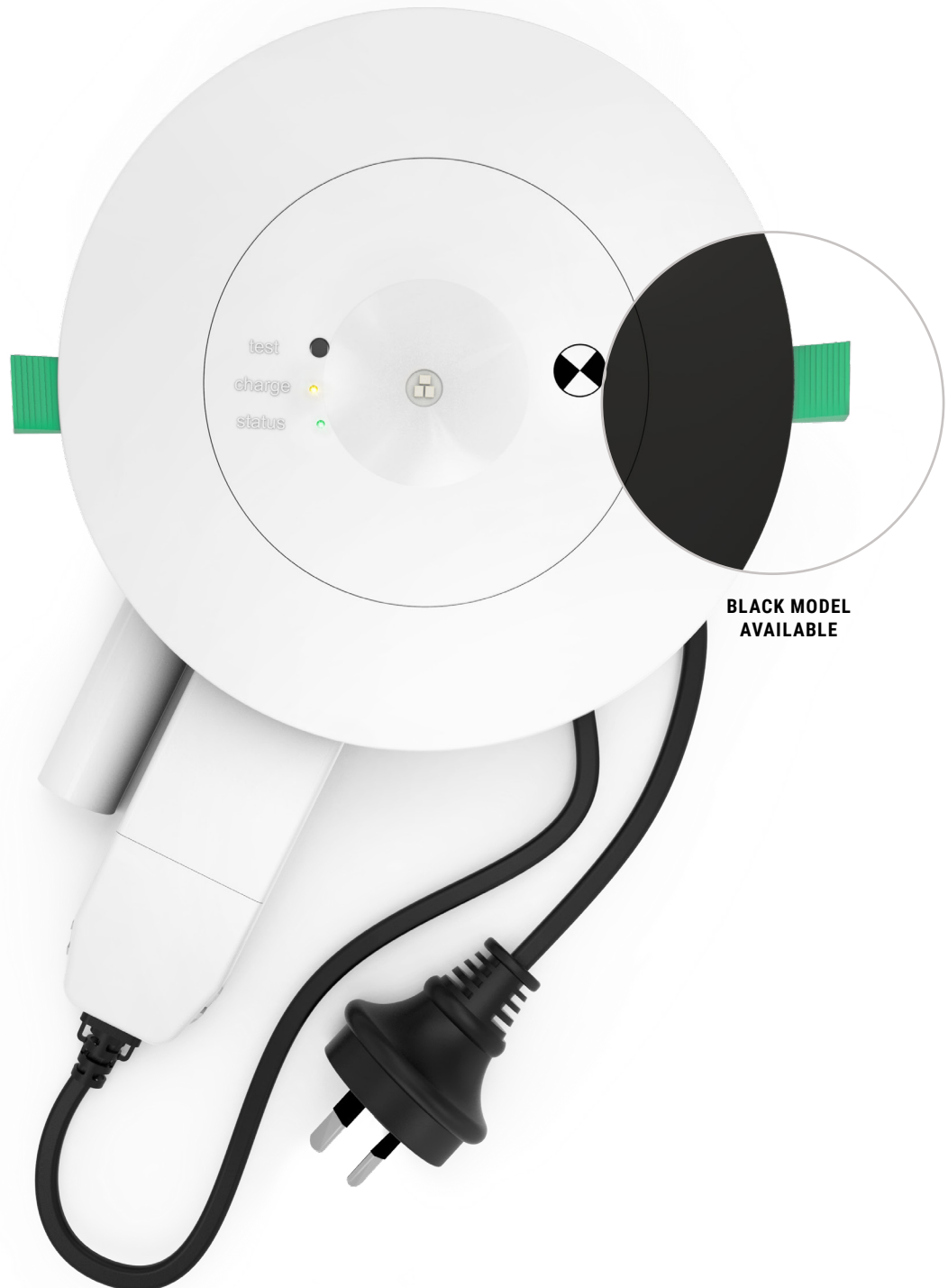


LED FIRE LITE



ADVANCED



BLACK MODEL
AVAILABLE

FEATURES

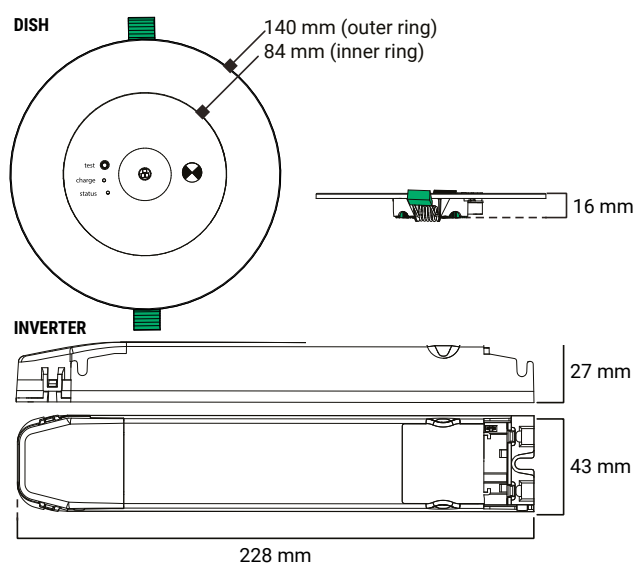
- Long life electronics
- Low energy consumption
- Emergency output **250 lm**
- Fully compliant (**AS/NZS 2293**)
- High ambient temperature rating (**40°C**)

D50 CLASSIFICATION
Light coverage for
emergency light

 **OUTER RING**
Includes outer ring to suit
hole sizes up to 130 mm

 **SINGLE POINT UNIT**
Ektor products work
as SPUs out of the box

 **ECO FRIENDLY**
Using a High Quality
Lithium battery (LiFePO₄)



PRODUCT RANGE

ORDER CODE	PRODUCT NUMBER	SKU	QTY
EV-LED FIRE-LITE Ledfire Lite Emergency Luminaire	9336462016961	01696	4
EV-LED FIRE-LITE-B Ledfire Lite Emergency Luminaire, Black	9336462114056	11405	4

GENERAL FEATURES

- Non-maintained operation
- Fully compliant (AS/NZS 2293)
- Low energy consumption (avg. 0.45W)
- Includes outer ring to suit hole sizes up to 130 mm

BUILT TO LAST

- Long life electronics
- 7 Years Design Life – 60,000 hours at max. ambient
- High Quality Lithium battery (LiFePO₄) and smart charger

SUITABLE INSTALLATION TYPES (OUT OF THE BOX)

- Standalone (SPU)

ACCESSORY RANGE

ORDER CODE	DESCRIPTION
EV-LED FIRE-PRO-RD	Ledfire Replacement dish
EV-1500MAH-6.4V-LIFEPO4	1500mAh 6.4V 2 Cell LiFePO ₄ Battery

SPACING TABLE

2005

LUX	LUMINAIRE CLASSIFICATION	MOUNTING HEIGHT (M)															
		2.1	2.4	2.7	3	3.3	3.6	4	4.5	5	6	7	8	9	10	15	20
0.2	D50	18.0	18.7	19.4	20.1	20.7	21.2	21.8	22.5	23.2	24.2	24.9	25.4	25.7	25.9	23.7	15.2

OPERATIONAL INFORMATION

GENERAL

Voltage 240V~ 50Hz

Ambient temp. 0 to 40°C

Class 2

IP rating IP20

Wiring Flex and Plug

Mounting type Recessed

EMERGENCY

Rated duration 90 / 120 min

Rated lumens 250 lm (2 hr)

Lamp power 2.7W

Classification D50

BATTERY

Type LiFePO₄

Voltage 6.4 V

Codes 01302

CHARGE

Type Smart charge

Time 16 Hours

CONSTRUCTION

Inverter PC V0, 850 glow wire

Dish PC V2, 750 glow wire

Cut out Ø 70 mm - inner ring Ø 75 - 130 mm - outer ring

Weight 0.41 kg net / 2.17 kg gross

COMPLIANCE

Standards AS/NZS 60598.2.22
AS/NZS 2293.3
IEC 60598-2-22
CISPR 15

NOTE: For more information on the chemical resistance of our polycarbonate or our compliance documentation, please see our website.

TOTAL POWER CONSUMPTION (TPC)

MAX.	AVG.
2.5 W	0.45 W

NOTE: Average power consumption calculated with the assumption of four emergency events per year and that the battery charger is in standby at all other times (above typical usage).

ektor.com.au
E: sales@evolt.com.au
P:1300 4EVOLT (438 658)

evolt
the electrical evolution

Ektor is dedicated to continuous product improvement. Datasheet is subject to change without notice, E&OE. Images are for illustrative purposes only.