

PEARL



CORE



Last updated: 4 November 2020_V1.0

EV-PEARL-EM-IP20-BASIC

FEATURES

- Fully compliant (**AS/NZS 2293**)
- Emergency and non-emergency models
- Works as Single Point Units (**SPU**) out of the box
- High Quality Lithium batteries (**LiFePO₄**) and smart charger

D20 CLASSIFICATION

Light coverage for emergency light



CORRIDOR MODE

Hold lights at a min level when no motion is detected



TRI-COLOR

Selectable colour temperature



INSECT RESISTANT

Insect resistant twist and lock system

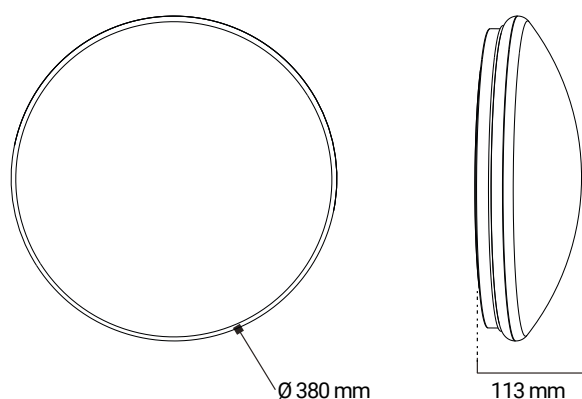
CONTACT

E: sales@evolt.com.au

P: 1300 4EVOLT (438 658)

F: +61 2 9502 1154

ektor.com.au


PRODUCT RANGE

ORDER CODE	PRODUCT NUMBER	SKU	QTY
EV-PEARL-EM-IP20 Pearl Circular IP20 Emergency, Tri-Colour LEGACY CODE: EV-3013-EM-LITE	933642110508	11050	6

GENERAL FEATURES

- Tri-colour selection
- Insect resistant twist and lock seal

BUILT TO LAST

- Long life electronics
- 5 Years Design Life – 44,000 hours at max. ambient
- High Quality Lithium battery (LiFePO₄) and smart charger

SUITABLE INSTALLATION TYPES (OUT OF THE BOX)

- Standalone (SPU)

ACCESSORY RANGE

ORDER CODE	DESCRIPTION
EV-1500MAH-6.4V-LIFEPO4	1500mAh 6.4V 2 Cell LiFePO ₄ Battery

SPACING TABLE (D20 - 0.2 LUX)
2005

MOUNTING HEIGHT (M)							
2.1	2.4	2.7	3	3.3	3.6	4	4.5
13.1	13.6	14.1	14.5	14.8	15.1	15.5	15.8
5	6	7	8	9	10	15	20
16.1	16.4	16.3	16.0	15.4	14.5		

OPERATIONAL INFORMATION
GENERAL

Voltage	240V~ 50Hz
Ambient temp.	0 to 40°C
Class	2
IP rating	IP20
Wiring	Terminal block (1-16 mm \square)
Mounting type	Surface
CRI	>80
Lamp power	26 W

EMERGENCY

Rated duration	90 / 120 min
Classification	D20

LIGHT COLOUR COLOUR TEMP. LUMENS

Warm White	3000K	1865lm
Cool White	4000K	2100lm
Daylight	5000K	1925lm

SENSOR

Max. sensor output	400 W max.
Detection range	Ø 8 m (at 3 m height)

BATTERY CHARGE

Type	LiFePO ₄	Type	Smart charge
Voltage	6.4 V	Time	16 Hours
Codes	01302		

CONSTRUCTION

Body	Powder coated steel
Diffuser	PC
Weight	0.86 kg net / 9.54 kg gross

COMPLIANCE

Standards	AS/NZS 60598.2.22 AS/NZS 2293.3 IEC 60598-2-22 CISPR 15
------------------	--

NOTE: For more information on the chemical resistance of our polycarbonate or our compliance documentation, please see our website.

TOTAL POWER CONSUMPTION (TPC)

LAMP ON		LAMP OFF	
MAX.	AVG.	MAX.	AVG.
31 W	28 W	3.6 W	0.7 W

NOTE: Average power consumption calculated with the assumption of four emergency events per year and that the battery charger is in standby at all other times (above typical usage).

ektor.com.au
E: sales@evolt.com.au
P:1300 4EVOLT (438 658)

evolt
the electrical evolution

Ektor is dedicated to continuous product improvement. Datasheet is subject to change without notice, E&OE. Images are for illustrative purposes only.