

PEARL IP64



ADVANCED



FEATURES

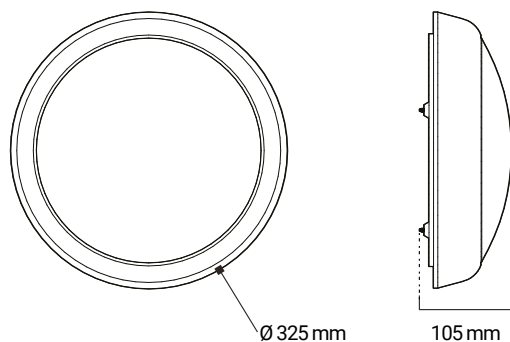
- Fully compliant (**AS/NZS 2293**)
- Emergency and non-emergency models
- Works as Single Point Units (**SPU**) out of the box
- High Quality Lithium batteries (**LiFePO₄**) and smart charger

D32 CLASSIFICATION
Light coverage for emergency light

 **CORRIDOR MODE**
Hold lights at a min level when no motion is detected

 **TRI-COLOR**
Selectable colour temperature

 **WEATHERPROOF**
IP64 and insect resistant twist and lock system



PRODUCT RANGE

ORDER CODE	PRODUCT NO.	SKU	QTY
EV-PEARL-EM-IP64-ADV Pearl Circular IP64 Emergency, Tri-Colour LEGACY CODE: EV-PEARL-EM-IP54-LITE	9336462110201	11020	4
EV-PEARL-EM-IP64-ADV-S Pearl Circular IP64 Emergency, Tri-Colour, Corridor function LEGACY CODE: EV-PEARL-EM-IP54-LITE-S	9336462110133	11013	4
EV-PEARL-IP64-ADV Pearl Circular IP64, Tri-Colour LEGACY CODE: EV-PEARL-IP54	9336462110218	11021	4
EV-PEARL-IP64-ADV-S Pearl Circular IP64, Tri-Colour, Corridor function LEGACY CODE: EV-PEARL-IP54-S	9336462110300	11030	4

GENERAL FEATURES

- Tri-colour selection
- IP64 weatherproof rating
- Emergency and non-emergency models

EMERGENCY MODELS (-EM)

- Fully compliant (AS/NZS 2293.3)
- High Quality Lithium battery (LiFePO₄) and smart charger

SENSOR MODELS (-S)

- Inbuilt Microwave sensor
- Corridor mode

BUILT TO LAST

- Long life electronics
- 7 Years Design Life – 60,000 hours at max. ambient

SUITABLE INSTALLATION TYPES (OUT OF THE BOX)

- Standalone (SPU)

TOTAL POWER CONSUMPTION (TPC)

MODEL	LAMP ON		LAMP OFF	
	MAX.	AVG.	MAX.	AVG.
Without Sensor	16 W	13.75 W	2.5 W	0.5 W
With Sensor	17 W	14.75 W	3 W	0.75 W

NOTE: Average power consumption calculated with the assumption of four emergency events per year and that the battery charger is in standby at all other times (above typical usage).

SPACING TABLE (D32 - 0.2 LUX)

2005

MOUNTING HEIGHT (M)							
2.1	2.4	2.7	3	3.3	3.6	4	4.5
15.4	16.1	16.7	17.2	17.6	18.0	18.5	19.1
5	6	7	8	9	10	15	20
19.5	20.2	20.6	20.7	20.6	20.3	14.6	

OPERATIONAL INFORMATION

GENERAL			
Voltage	240V~ 50Hz		
Ambient temp.	0 to 40°C		
Class	2		
IP rating	IP64		
Wiring	Terminal block (1-16 mm \square)		
Mounting type	Surface		
CRI	>80		
Lamp power	12.5 W		
LIGHT COLOUR		COLOUR TEMP.	LUMENS
Warm White		3000K	1250 lm
Daylight		4000K	1490 lm
Cool White		5700K	1330 lm
SENSOR			
Max. sensor output	400 W max.		
Detection range	Ø8 m (at 3 m height)		
EMERGENCY			
Em. lamp power	2.7 W		
Rated duration	90 / 120 min		
Classification	D32 (2hr)		
BATTERY		CHARGE	
Type	LiFePO ₄	Type	Smart charge
Voltage	6.4 V	Time	16 Hours
Codes	01302		
CONSTRUCTION			
Body	PC	Diffuser	Opal
Gear tray	FR-4		
WEIGHT (NET / GROSS)			
11020	1.1 / 6.78 kg	11013	1.19 / 6.9 kg
11021	1.02 / 6.42 kg	11030	1.07 / 6.1 kg
COMPLIANCE			
Standards	AS/NZS 60598.2.22 AS/NZS 2293.3	IEC 60598-2-22 CISPR 15	

NOTE: For more information on the chemical resistance of our polycarbonate or our compliance documentation, please see our website.

ACCESSORY RANGE

ORDER CODE	DESCRIPTION
EV-1500MAH-6.4V-LIFEP04	1500mAh 6.4V 2 Cell LiFePO ₄ Battery

ektor.com.au
E: sales@evolt.com.au
P: 1300 4EVOLT (438 658)

evolt
the electrical evolution

Ektor is dedicated to continuous product improvement. Datasheet is subject to change without notice, E&OE. Images are for illustrative purposes only.