

TWINSPOT PRO



PROFESSIONAL



BLACK MODEL
AVAILABLE

FEATURES

- Fully compliant (**AS/NZS 2293**)
- Works as Single Point Units (**SPU**) out of the box
- Fast emergency switch-over (**<0.5s**) for high task areas
- High Quality Lithium batteries (**LiFePO₄**) and smart charger



DURABLE

IP65 and IK08 rated, for demanding environments



SELF TEST

Commission the product to perform its own tests



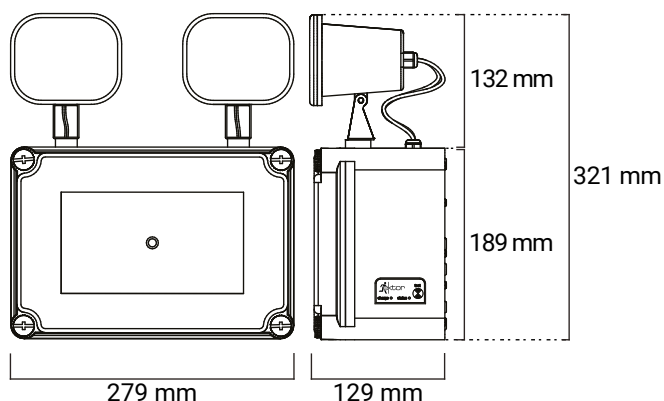
DALI CERTIFIED

Connect to a DALI system for DALI testing



ECO FRIENDLY

Using a High Quality Lithium battery (LiFePO₄)



PRODUCT RANGE

ORDER CODE	PRODUCT NUMBER	SKU	QTY
EV-TWINSPOT-WP-PRO Twinspot IP65 Pro Emergency Luminaire	9336462017081	01708	4
EV-TWINSPOT-WP-PRO-B* Twinspot IP65 Pro Emergency Luminaire, Black	9336462017074	01707	4

GENERAL FEATURES

- Emergency output of 2 x 208 lm
- Soft-start charger to reduce building load
- Selectable discharge rating for hazardous areas
- Fast emergency switch-over (<0.5s) for high-task areas

BUILT TO LAST

- Long life electronics
- 10 Years Design Life – 100,000 hours at max. ambient
- High Quality Lithium battery (LiFePO₄) and smart charger

SUITABLE INSTALLATION TYPES (OUT OF THE BOX)

- Standalone (SPU)
- Self test (AS2293/ IEC62034-2012)
- DALI (IEC62386)
- Ektor wired monitored system

*Built to order

ACCESSORY RANGE

ORDER CODE	DESCRIPTION
EV-TWINSPOT-WP-PRO-INV	Twinspot Pro IP65 inverter
EV-TWINSPOT-WP-PRO-B-INV	Black Twinspot Pro IP65 inverter
EV-3000MAH-6.4V-LIFEPO4	3000mAh 6.4V 2 Cell LiFePO ₄ battery

OPERATIONAL INFORMATION

GENERAL

Voltage	240V~ 50Hz
Ambient temp.	0 to 40°C
Class	2
IP rating	IP65
IK rating	IK10
Wiring	Terminal block (1-16 mm \square)
Mounting type	Surface
Lamp power	4.7 W

EMERGENCY

Emergency lamp power	5.5 W
Rated duration	90 / 120 min (1 / 3 / 4 / 8 hours, selectable)
Rated lumens	2 x 208 lm (2 hr)

BATTERY

BATTERY		CHARGE	
Type	LiFePO ₄	Type	Smart charge
Voltage	6.4 V	Time	16 Hours
Codes	01303		

CONSTRUCTION

Body	PC V0, 850 glow wire
Diffuser	PC V2, 750 glow wire
Gear tray	Galvanized steel
Weight	2.1 kg net / 10.46 kg gross

COMPLIANCE

Standards	AS/NZS 60598.2.22	IEC 62386-102
	AS/NZS 2293.3	IEC 62386-202
	CISPR 15	IEC 62034
	IEC 60598-2-22	

NOTE: For more information on the chemical resistance of our polycarbonate or our compliance documentation, please see our website.

TOTAL POWER CONSUMPTION (TPC)

MAINTAINED MODE		NON-MAINTAINED MODE	
MAX.	AVG.	MAX.	AVG.
8.5 W	5.7 W	3 W	0.25 W

NOTE: Average power consumption calculated with the assumption of four emergency events per year and that the battery charger is in standby at all other times (above typical usage).